

G-Series Padlock 47, 55

All-purpose Security

Low Upper Body



Application

General use.

Operation

Rotate key 90° to unlock.

Options

Satin chrome finish

Materials

Body: Brass

Shackle: hardened boron alloy steel

Cylinder body, plug and pins: brass

Additional features

- High corrosion resistance
- Hammering resistance

Cylinder mechanism

Mul-T-Lock's unique high precision pin tumbler system. Pick and drill resistant for High Security needs.

Keys

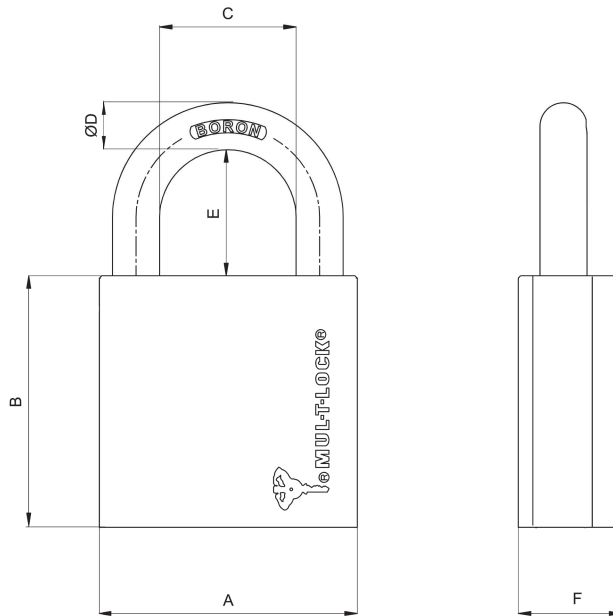
Reversible nickel silver key with plastic key head and colored insert for identification.

Cylinder Options

- 7x7, Classic, Interactive®+, MT5® platforms
- Keyed different, keyed alike
- Master keyed

Standard

Security grade CEN 3



Padlock		A	B	C	D	E	F
G-47	mm	47	51	25	8	26.5	21
	Inch	1.850	2.007	0.984	0.314	1.043	0.826
G-55	mm	55	54	29	10	27	22
	Inch	2.165	2.125	1.141	0.393	1.062	0.866



G-Series Padlock 47P, 55P

All-purpose Security

High Upper Body - Protected



Application

General use.

Operation

Rotate key 90° to unlock.

Options

Satin chrome finish.

Materials

Body: brass

Shackle: hardened boron alloy steel

Cylinder body, plug and pins: brass

Additional features

- High corrosion resistance
- Hammering resistance

Cylinder mechanism

Mul-T-Lock's unique high precision pin tumbler system. Pick and drill resistant for High Security needs.

Keys

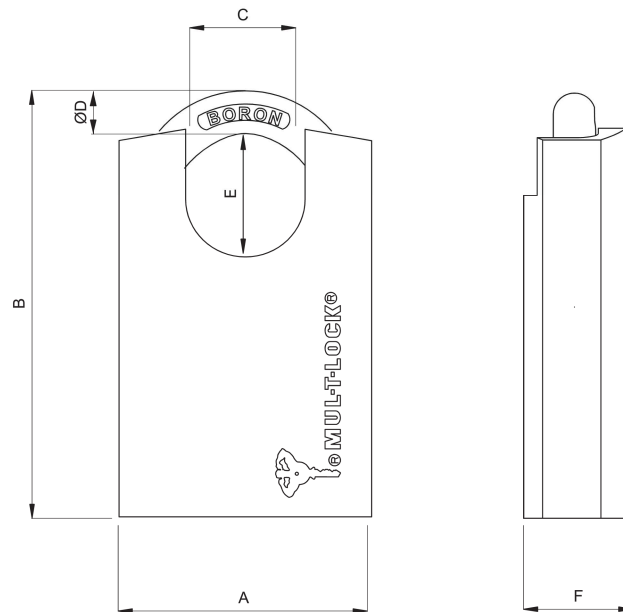
Reversible nickel silver key with plastic key head and colored insert for identification.

Cylinder options

- 7x7, Classic, Interactive[®]+, MT5[®] platforms
- Keyed different, keyed alike
- Master keyed

Standard

Security grade CEN 3



Padlock		A	B	C	D	E	F
G-47P	mm	47	74	20	8	22.5	21
	Inch	1.850	2.913	0.787	0.314	0.885	0.826
G-55P	mm	55	77	20	10	23	22
	Inch	2.165	3.031	0.787	0.393	0.905	0.866

Padlocks