

G-Series Padlock

47,55,60



Padlocks

Application

For general use.

Operation

The shackle is locked by a double ball bearing mechanism.

Unlocking with 90° key rotation.

Options

With shackle protector.

Satin chrome finish.

Materials

Body: Brass

Shackle: Hardened Boron Alloy Steel.

Cylinder body, plug and pins:

Brass or Nickel Silver.

Additional Features

High corrosion resistance .

Hammering resistance.

Cylinder mechanism

Mul-T-Lock 7x7® cylinder.

7-chamber pin tumbler system.

Keys

Reversible Nickel Silver key with plastic key head and coloured insert for identification.

Key Security

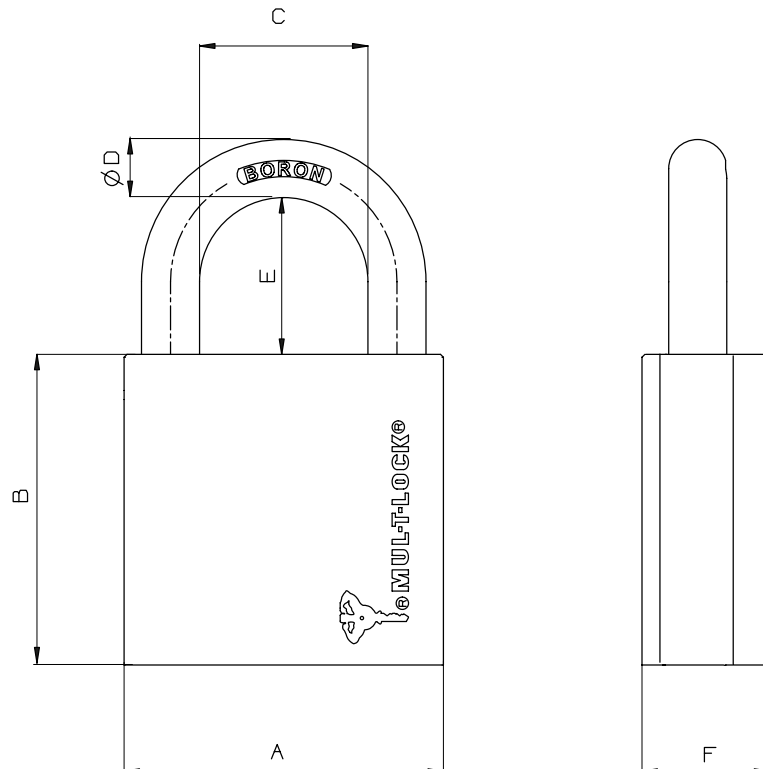
Orders for keys marked “do not duplicate” should only be made upon presentation of a key card.

Cylinder Options

7X7®.

Keyed different, Keyed alike,

Master keyed.



Padlock		A	B	C	D	E	F
G-47	mm	47	51	25	8	26.5	21
	Inch	1.850	2.007	0.984	0.314	1.043	0.826
G-55	mm	55	54	29	10	27	22
	Inch	2.165	2.125	1.141	0.393	1.062	0.866
G-60	mm	60	55	30	12	27	26
	Inch	2.362	2.165	1.181	0.472	1.063	1.024



G-Series Padlocks

55P, 47P



Application

For general use.

Operation

The shackle is locked by a double ball bearing mechanism.
Unlocking with 90° key rotation.

Options

Without shackle protector.
Satin chrome finish.

Materials

Body: Brass
Shackle: Hardened Boron Alloy Steel.

Cylinder body, plug and pins:
Brass or Nickel Silver.

Additional Features

High corrosion resistance .
Hammering resistance.

Cylinder mechanism

Mul-T-Lock 7x7® cylinder.
7-chamber pin tumbler system.

Keys

Reversible Nickel Silver key with plastic key head and coloured insert for identification.

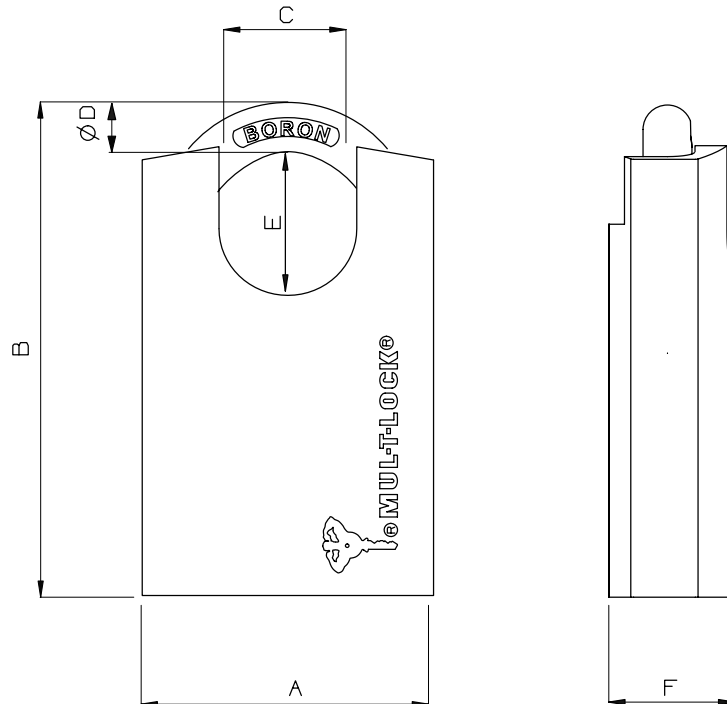
Key Security

Orders for keys marked “do not duplicate” should only be made upon presentation of a key card.

Cylinder Options

7X7®.

Keyed different, Keyed alike,
Master keyed.



Padlock		A	B	C	D	E	F
G-47P	mm	47	74	20	8	22.5	21
	Inch	1.850	2.913	0.787	0.314	0.885	0.826
G-55P	mm	55	77	20	10	23	22
	Inch	2.165	3.031	0.787	0.393	0.905	0.866

