

# Euro Profile Cylinder



## Application

Compatible with locks and lock cases using Euro profile cylinder.

## Operation

360° rotation by operating key or thumbturn. Standard double cylinder, full key insertion disengages other side.

## Materials

Body and plug: Brass.  
Cam and cogwheel: Steel.  
Pins: Nickel Silver & Stainless Steel.

## Available Finishes

See table in page C490v1.

## Cylinder Mechanism

Mul-T-Lock® unique, high precision up to 10 telescopic pin tumbler system. Pick and drill resistant for high security needs.

## Keys

Reversible Nickel Silver key with plastic key head and coloured insert. Also available in all-Nickel Silver.

## Key Security

Orders for keys marked "do not duplicate" should only be made upon presentation of a key card.

## Cylinder Options

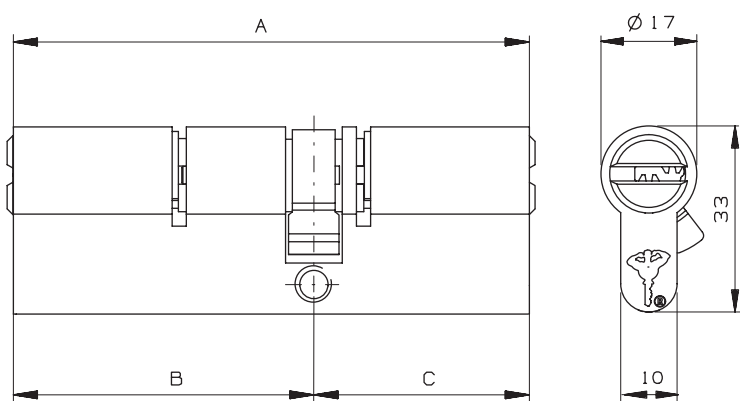
Classic, *Interactive*® (patented).  
'3 IN 1' (changeable combination).  
Keyed different, Keyed alike,  
Master keyed.  
Variety of thumbturns, cams and cogwheels.

'Emergency' cylinder with both sides permanently operational.

## Standards

ISI 950, by special order can be made comply to:  
DIN, VDS, SKG, CEN, UL437, A2P.

## Double Cylinder



## Single Cylinder

