

Padlock Accessories

Hasp For Glass Door



Application

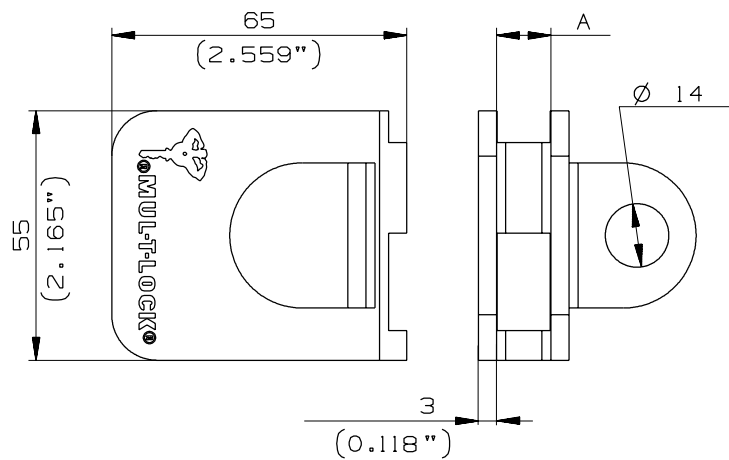
Effective easy to install hasp for glass doors.
Provides a perfect locking solution when used in conjunction with Mul-T-Lock padlocks.
Resin bonded.

Materials

Steel.

Finish

Shiny chrome finish.



Door thickness up to:			
A	mm	12	19
	Inch	0.472	0.748

