

Cam Lock

Ø29mm (1 1/8")



Application

Mul-T-Lock cam locks are available in various sizes, making them suitable for a wide range of applications.

Operation

90° cam rotation. Adjustable for clockwise and counter-clockwise operation.

Materials

Body, plug and ring: Brass.
Cam: Steel.
Pins: Nickel Silver & Stainless Steel.

Available Finishes

See table in page C210v1.

Cylinder Mechanism

Mul-T-Lock unique, high precision up to 10 telescopic pin tumbler system. Pick and drill resistant for high security needs.

Keys

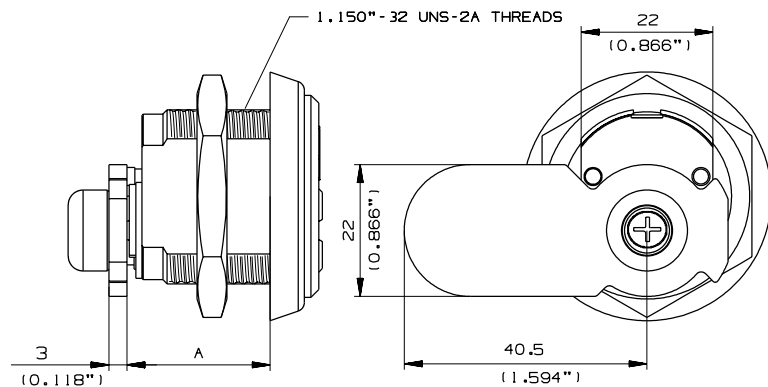
Reversible Nickel Silver key with plastic key head and coloured insert for identification. Also available in all-Nickel Silver.

Key Security

Orders for keys marked "do not duplicate" should only be made upon presentation of a key card.

Cylinder Options

Classic, Interactive® (patented)..
Keyed different, Keyed alike,
Master keyed.
'3 IN 1' (changeable combination).



A	mm	Inch	Chambers
	24	0.994	4
	28.8	1.133	5

**Spacer Ring
(standard mortise ring)**

B	mm	Inch
	5.7	0.224
	8.9	0.350
	12.2	0.480
	15.5	0.610

