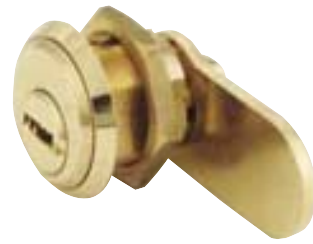


# Cam Lock

## Ø22mm (7/8")



### Application

Mul-T-Lock cam locks are available in various sizes, making them suitable for a wide range of applications (e.g. cabinets, drawers, parking meters, lockers, cash boxes, pay telephones etc.).

### Operation

90° cam rotation. Adjustable for clockwise and counter-clockwise operation.

### Materials

Body, plug and ring: Brass.

Cam: Steel.

Pins: Nickel Silver & Stainless Steel.

### Available Finishes

See table in page C210v1.

### Cylinder Mechanism

Mul-T-Lock unique, high precision up to 10 telescopic pin tumbler system. Pick and drill resistant for high security needs.

### Keys

Reversible Nickel Silver key with plastic key head and coloured insert for identification. Also available in all-Nickel Silver.

### Key Security

Orders for keys marked "do not duplicate" should only be made upon presentation of a key card.

### Cylinder Options

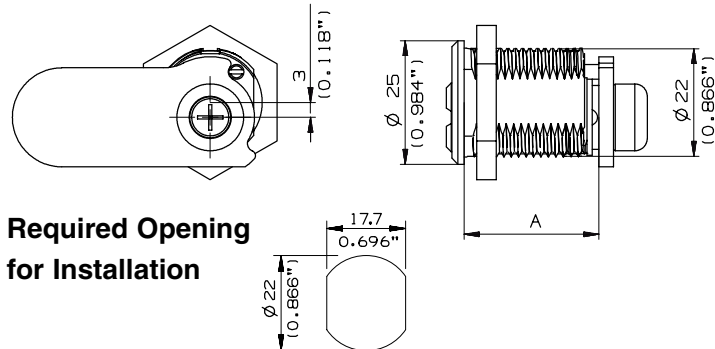
Classic, Interactive® (patented).

Keyed different, Keyed alike,

Master keyed.

'3 IN 1' (changeable combination).

Variety of cams.



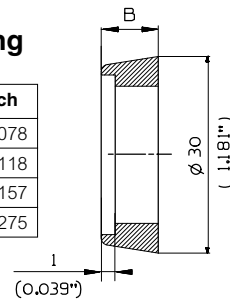
**Required Opening for Installation**

### Cylinder dimensions

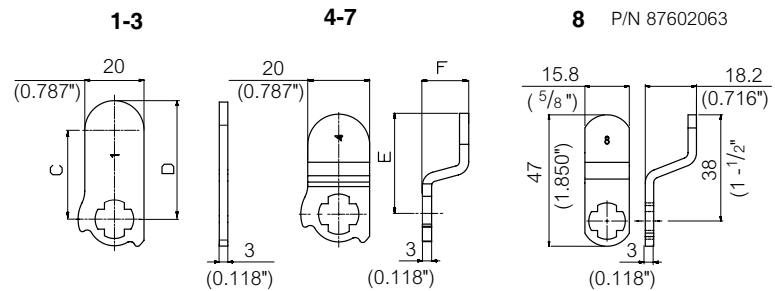
	mm	Inch	Chambers
A	22.5	0.885	4
	27.3	1.075	5
	38.3	1.5	5

### Spacer ring

	mm	Inch
B	2	0.078
	3	0.118
	4	0.157
	8	0.275



### Cams available



P/N	C	D	Marking
87602005	30	40	1
87602126	44	54	2
87602090	90	100	3

P/N	E	F	Cam #
87602129	32	15	4
87602174	27.8	15	5
87602171	35.3	11.7	6
87602047	31	21.5	7

