

Push Lock



Application

Mounted into 29mm hole for securing sliding units (e.g. sliding glass doors).

Operation

Push to lock. 90° rotation by operating key releases spring loaded locking pin. 'Slam locking' type mechanism. Suitable for various door thicknesses.

Options

Bolt can be spring loaded /locked.

Materials

Body and plug: Brass, mounted in Aluminium Housing.

Pins: Nickel Silver & Stainless Steel.

Available Finishes

See table in page C210v1.

Cylinder Mechanism

Mul-T-Lock unique high precision 8 telescopic pin tumbler system. Pick and drill resistant for high security needs.

Keys

Reversible Nickel Silver key with plastic key head and coloured insert for identification. Also available in all-Nickel Silver.

Key Security

Orders for keys marked "do not duplicate" should only be made upon presentation of a key card.

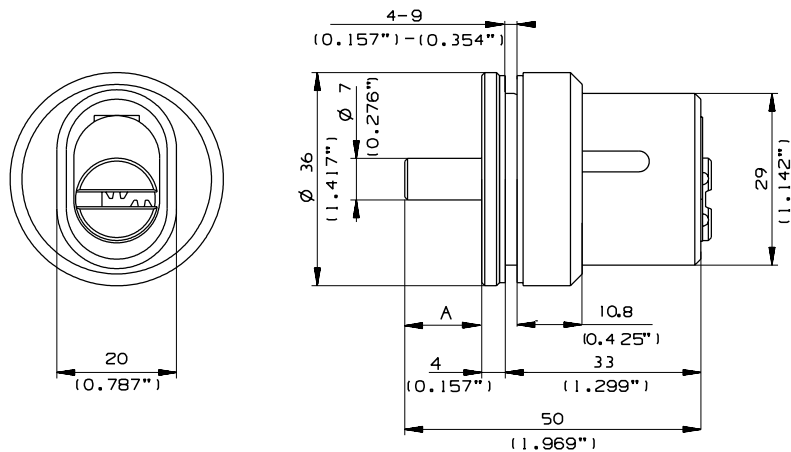
Cylinder Options

Classic, Interactive® (patented).

Keyed different, Keyed alike,

Master keyed.

'3 IN 1' (changeable combination).



A	mm	Inch
	15.5	0.610
	33.5	1.318

