

Multi Bolted Cabinet Lock



Application

For use in cabinets where multipoint locking is required.

Operation

90° cam rotation by operating key. Directly linked to cam and bolts. Adjustable for clockwise and counter-clockwise operation.

Options

Solid spacer ring, available in different thicknesses.

Materials

Body, plug and ring: Brass.

Cam: Steel.

Two bolts & support: Zinc-plated Steel.

Pins: Nickel Silver & Stainless Steel.

Available Finishes

See table in page C210v1.

Cylinder Mechanism

Mul-T-Lock unique high precision up to 10 telescopic pin tumbler system. Pick and drill resistant for high security needs.

Keys

Reversible Nickel Silver key with plastic key head and coloured insert for identification. Also available in all-Nickel Silver.

Key Security

Orders for keys marked "do not duplicate" should only be made upon presentation of a key card.

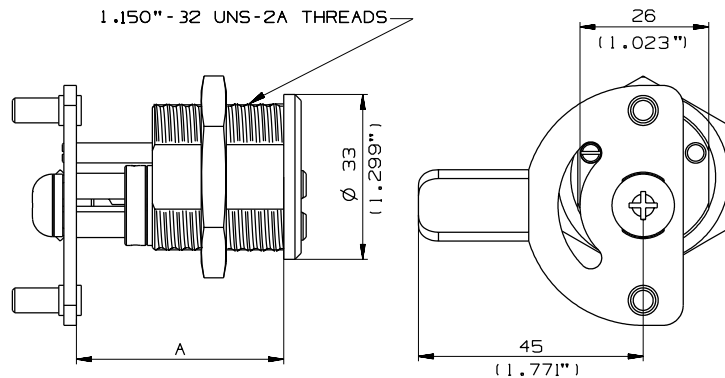
Cylinder Options

Classic, Interactive® (patented)..

Keyed different, Keyed alike,

Master keyed.

'3 IN 1' (changeable combination).



	mm	Inch	
A	37	1.456	4
	40	1.574	5

Spacer Ring (standard mortise ring)

B	mm	Inch
	5.7	0.224
	8.9	0.350
	12.2	0.480
	15.5	0.610

