

# Switch Locks

## For Alarm Systems



**Application**

For key control of electrical circuit.

**Operation**

See table.

**Materials**

Body, plug and ring: Brass.

Cam: Steel.

Pins: Nickel Silver & Stainless Steel.

**Available Finishes**

See table in page C210v1.

**Cylinder Mechanism**

Mul-T-Lock unique, high precision up to 10 telescopic pin tumbler system. Pick and drill resistant for high security needs.

**Keys**

Reversible Nickel Silver key with plastic key head and coloured insert for identification. Also available in all-Nickel Silver.

**Key Security**

Orders for keys marked "do not duplicate" should only be made upon presentation of a key card.

**Cylinder Options**

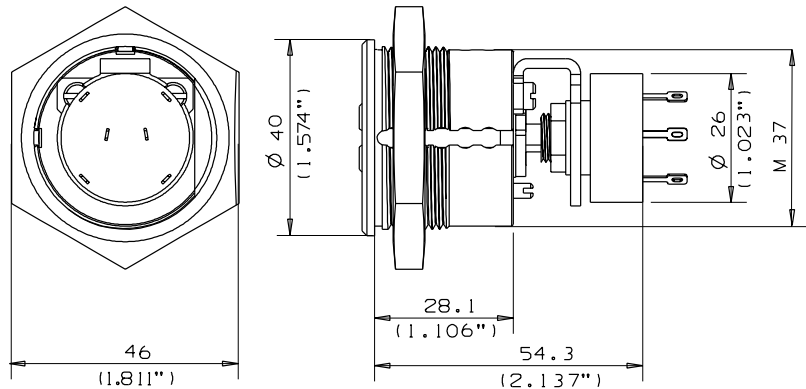
Classic, Interactive® (patented)..

Keyed different, Keyed alike.

'3 IN 1' (changeable combination).

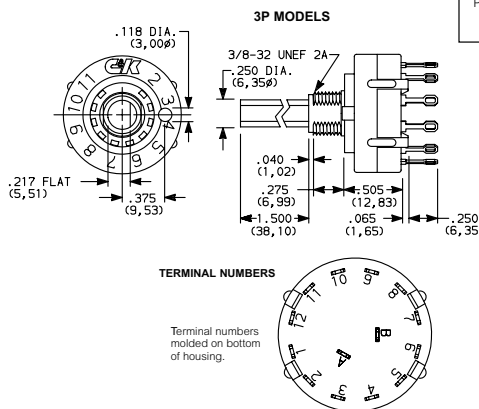
**Standards**

UL437, SII 950.



<b>Key Rotation</b>	90°
<b>Key Removal</b>	0°,90°
<b>Option</b>	2 or 3 positions

45° INDEXING			
NO. POLES	MODEL NO.	SWITCH FUNCTION	TERMINALS
DP	A215	3 Position	A,C,1,2,4,7,8,10
90° INDEXING			
NO. POLES	MODEL NO.	SWITCH FUNCTION	TERMINALS
DP	A214	2 Position	A,C,1,4,7,10



DP MODELS SCHEMATIC

(STD.) SOLDER LUG

**"C&K Components" Switch 215, 214 Specifications:**

Switch: 2.5 AMPS @125 V AC; 350 mA @ 125 V DC (UL/ CSA).

Carry: 5 AMPS continuous.

Electrical Life: 15,000 make-and-break cycles at full load up to 300,000 detente operations.

Contact Resistance: Below 20 milliohms typ. Initial @ 2-4 V DC, 100 mA,

Insulation Resistance: 109 ohms min.

Dielectric Strength: 1,000 V RMS min. @ sea level.

